

## High-performance smart 3D printer with Wi-Fi

The **Robo R2** high-performance smart 3D printer with Wi-Fi lets you tackle large-scale projects and make whatever you can imagine right from your mobile device using the Robo app. Built for serious printing, Robo R2 features a large 8 x 8 x 10 inch build volume, 5 inch built-in color touchscreen, on-board camera, onboard slicing, automatic calibration and it prints more than 30 different materials — plus you can add an additional extrusion head and print two materials at once. When you want to make it real — make it Robo.



### 5" color LCD touchscreen

Built-in 5 inch color LCD touchscreen lets you easily launch projects and adjust your printer controls for optimal results.



### Flexible connectivity

Connect Robo R2 to your Wi-Fi or Ethernet. If no internet connection is available, connect using Robo R2's personal hotspot.



### Compatible with any device

Easily print from your Chromebook, iPad, or any other mobile device.



### Large print size

Enjoy a sizable 8 x 8 x 10 inch print size — perfect for batch printing and large projects.



### Auto calibration

Spend more time making without having to manually adjust the print bed — plus it's removable.



### Heated print bed

Improves the quality of each print and prevents warping — plus it comes installed with a BuildTak sheet for easier print removal.



### Prints most materials

Easily make more and print with 30+ types of materials and filaments, providing flexibility for all your projects.



### On-board camera

Record and monitor each print in real time, letting you watch it come to life — all from your mobile device.



### Onboard slicing

Save time by slicing your files directly from Robo R2's LCD touchscreen.



### Filament run-out detection

Automatically pauses your 3D print and notifies you when you've run out of filament, saving you time and money.



### Add a second extruder

Expand to second extruder to print two different materials or colors at once (sold separately).



### Safety features

Access control security feature allows you to control who can remotely access Robo R2. Robo R2 comes equipped with a door to prevent touching hot surfaces.



16.75 in (425.5 mm)

23.75 in  
(603.3 mm)



16.61 in (421.9 mm)



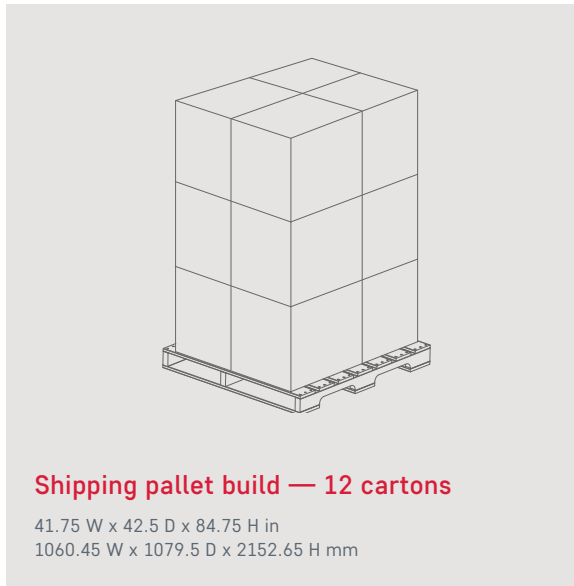
### Retail packaging

20.3 W x 20.1 D x 27.5 H in  
515.62 W x 510.54 D x 698.5 H mm



### Shipper packaging

21.25 W x 20.9 D x 28.25 H in  
539.75 W x 530.86 D x 717.55 H mm



### Shipping pallet build — 12 cartons

41.75 W x 42.5 D x 84.75 H in  
1060.45 W x 1079.5 D x 2152.65 H mm

## Tech specs

### Print size

8 x 8 x 10 inch  
203.2 x 203.2 x 254 mm

### Layer resolution

20–300 microns

### Print plate leveling tech

Automatic leveling calibration

### Print technology

Fused filament fabrication

### Weight

30.2 lbs  
13.67 kg

### Print speed

Up to 16 mm<sup>3</sup>/s

### Travel speed

Up to 250 mm/s

### Print head

Quick change nozzle

### Size (w x d x h)

16.75 x 16.61 x 23.75 inch  
425.5 x 421.9 x 603.3 mm

### XYZ accuracy

12.5, 12.5, 5 microns

### Nozzle diameter

0.4 mm nozzle

## Requirements

### File transfer

Standalone 3D printing from USB stick, Wi-Fi printing from App

### Software

Robo app or Cura free preparation software

### Supported OS

Apple iOS and macOS, Windows, Linux, ChromeOS

### Operating ambient temp

59–90 °F, 15–32 °C

### Non-operating temp

32–90 °F, 0–32 °C

## Shipping details

### UPC

855076005790

### Shipping weight

45.7 lb  
20.7 kg

### MSRP

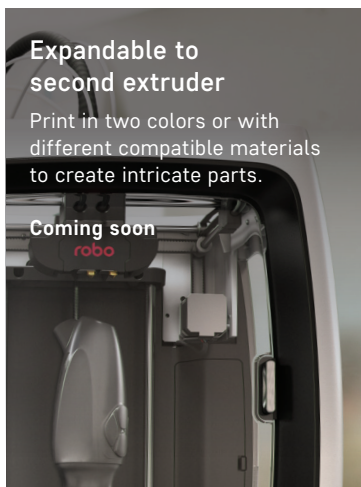
1,399 EUR

## Languages

English  
French  
Spanish  
German  
Polish  
Italian  
Chinese  
Japanese

## In the box

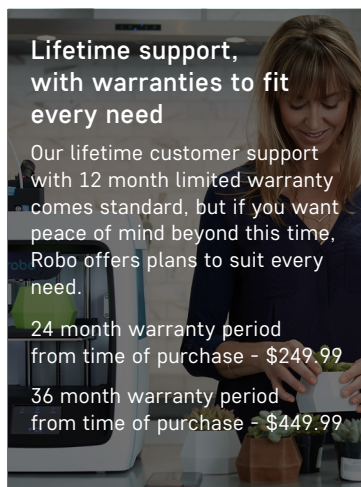
Robo R2 printer  
Power adapter and cable  
Spool of filament  
Quick start guide  
USB with 3D models  
1-year Autodesk Fusion 360  
Filament feed tube  
Spatula  
Tool kit



### Expandable to second extruder

Print in two colors or with different compatible materials to create intricate parts.

### Coming soon



### Lifetime support, with warranties to fit every need

Our lifetime customer support with 12 month limited warranty comes standard, but if you want peace of mind beyond this time, Robo offers plans to suit every need.

24 month warranty period from time of purchase - \$249.99

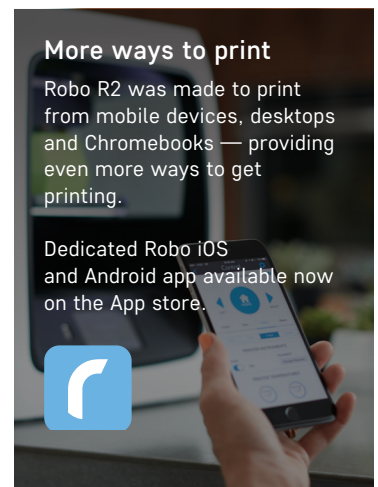
36 month warranty period from time of purchase - \$449.99



### Free commercial version of Autodesk Fusion 360 included

Easily access professional industrial and mechanical design ideas with this integrated concept-to-production toolset.

AUTODESK FUSION 360



### More ways to print

Robo R2 was made to print from mobile devices, desktops and Chromebooks — providing even more ways to get printing.

Dedicated Robo iOS and Android app available now on the App store.



**Contact details:** [sales@robo3d.com](mailto:sales@robo3d.com) - 844.476.2633